



# CUSTOM ROADSTER COLUMN MANUFACTURING PROGRAM (FR1999CU and FR1999CUSS)

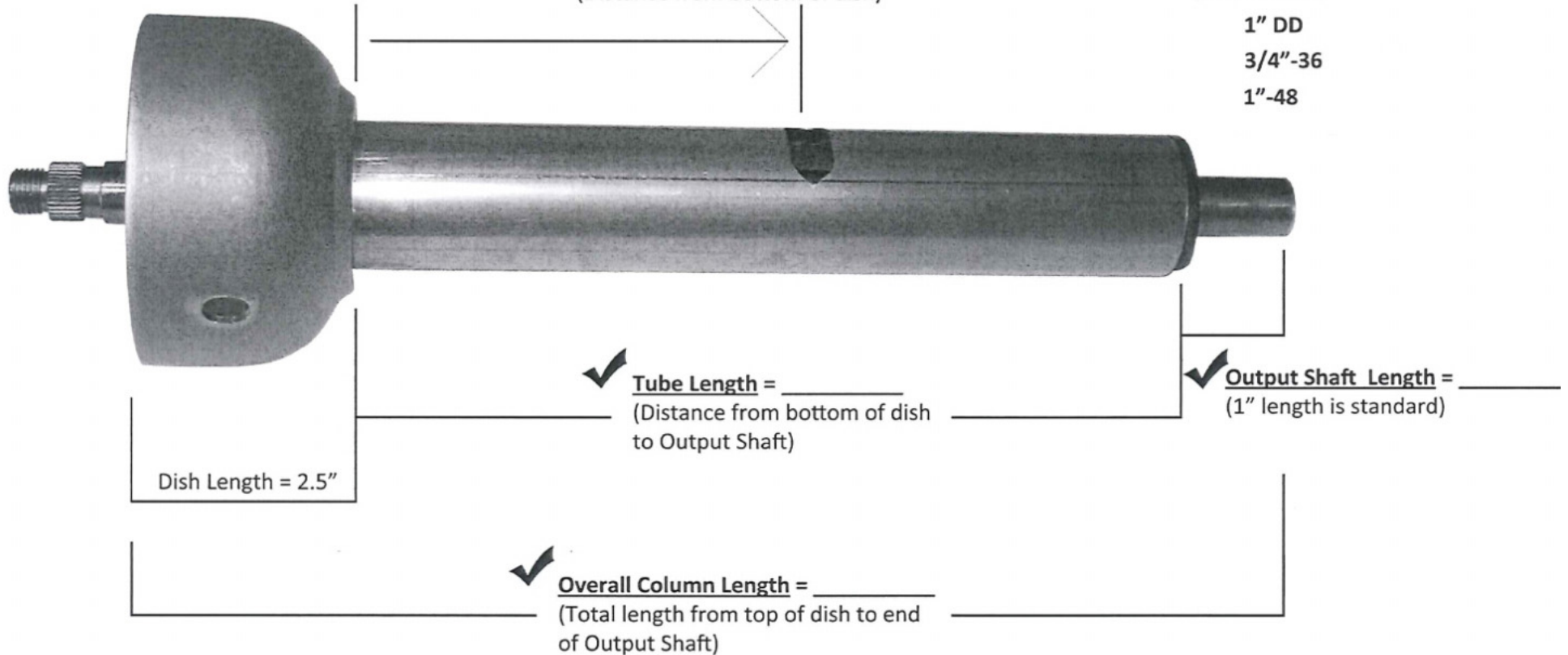
✓ **Electrical Options (Check One):**  
 No Hazards  
 Hazards and Turn Signals

✓ **Wiring Slot Alignment (Check One):**  
 Top  
 Bottom

✓ **Wiring Slot Location = \_\_\_\_\_**  
 (Distance from bottom of dish)

✓ **Column Finish (Check One):**  
 Paintable (FR1999CU)  
 Polished (FR1999CUSS)

✓ **Output Shaft Specifications (Check One):**  
 1" DD  
 3/4"-36  
 1"-48



CUSTOMER APPROVAL		
Print Name	Signature	Date
	Please add your signature to the last page (Custom Order Release).	

FLAMING RIVER APPROVALS - INTERNAL USE ONLY		
Department	Signature	Date
Salesperson		
Production		

Note: Custom Columns are built to exact customer specifications, and therefore are non-returnable and non-refundable. All custom orders are billed upfront and must be paid in full prior to order fulfillment. Cash, Visa, Mastercard, and Discover accepted.

FORM # F-069  
 REVISION A  
 1/17/14



## Custom Order Release

Please be advised that in placing this order for custom manufactured merchandise you are accepting full responsibility for the correctness and accuracy of all pertinent ordering information. Further, be advised that by filling out and signing this form you are affirming the correctness and accuracy of the information contained herein and authorizing Motor State Distributing to order this custom merchandise. Once this form has been signed, the purchaser assumes full responsibility for paying for the custom merchandise and no refund will be issued unless it can be shown that any errors or defects were the fault of the manufacturer and not caused by erroneous information.

As a rule, custom orders cannot be cancelled once the order is placed with the manufacturer. All custom orders are subject to freight and handling charges from the manufacturer.

**No returns will be accepted on custom-built items.**

Sales Contact At Motor State \_\_\_\_\_

Customer Number \_\_\_\_\_

Company Name \_\_\_\_\_

Address \_\_\_\_\_

City \_\_\_\_\_ State \_\_\_\_\_ Zip \_\_\_\_\_

Phone \_\_\_\_\_

Fax \_\_\_\_\_

Email \_\_\_\_\_

Print Your Name \_\_\_\_\_ Date \_\_\_\_\_

Authorized Signature \_\_\_\_\_

**If you are submitting this form electronically, your digital signature must be added last. Once signed, this form becomes non-editable. Please double check all items first.**

Motor State Distributing

8300 Lane Drive, Watervliet MI 49098

web: [www.motorstate.com](http://www.motorstate.com) | phone: 1-800-772-2678 | fax: 1-800-772-2618