

PST Custom Driveshaft Order Form

All driveshaft orders are reviewed by the PST Engineering Dept. and a recommendation is forwarded to you based on information supplied.

Please fill out the following form to order your custom built driveshaft.

Mailing Address

Name _____

Address _____

City _____ State _____ Zip _____

Phone _____ Email _____

Shipping Address (If Different From Above)

Name _____

Address _____

City _____ State _____ Zip _____

Product Information

Select the product, upgrades and add-ons for your order.

Driveshaft Type Carbon Steel Aluminum Estimated Total _____

Vehicle Information

Vehicle Name _____ Year _____ Engine _____

Transmission* _____ Horsepower _____ Vehicle Weight _____

Driveshaft Top RPM _____ Tire Size _____ Differential _____

Rear U-Joint* _____ Cup Diameter* _____

Driveshaft Measurement

Fill in only One Dimension that is applicable to your driveshaft purchase.

Dim. W* _____ Dim. X* _____ Dim. Y* _____ Dim. Z* _____

*See page two for help identifying these items.

PST Custom Driveshaft Order Form

Identify Transmission

Chrysler/Dodge

727: 30-Spline 1 11/16" Seal Diameter
 904: 26-Spline 1 9/16" Seal Diameter

General Motors

T-350 700R4-4LLOE: 27-Spline 1 1/2" Seal Diameter
 T-400-4L80E: 32-Spline 1 7/8" Seal Diameter

Ford

C6-T56: 31-Spline 1 11/16" Seal Diameter
 AOD & C4 & T5: 28-Spline 1 1/2" Seal Diameter
 4 R 70W: 28-Spline 1.598" Seal Diameter

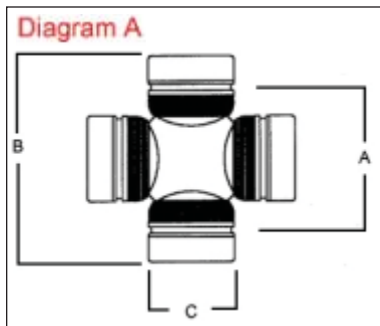
Note: Transmission slip yokes are manufactured with various U-Joint Series. It is important to match Horsepower and Torque requirements to U-Joint Series. For aftermarket transmission applications usually a spline count and seal diameter will identify slip yoke required.

Identify Rear U-Joint

If Pinion Yoke has Placement tabs that retain the U-Joint, measure inside tabs. **See Diagram D.**

If Pinion Yoke does not have Placement Tabs that retain U-Joint, measure from flat of yoke inside to inside. **See Diagram E.**

If 4 bolt Flange is used on pinion, measure Pilot Diameter and center to center diagonally bolt hole to bolt hole. **See Diagram L.**



Universal Joint Size, refer to **Diagram A.** There are hundreds of U-Joint sizes or "Series" to accommodate many different applications of power and desired longevity for your automotive, 4x4 truck or auto racing requirements, these 4 series of joints cover most needs.

1310 Spicer Series: 1 1/16" Cup Diameter (Dim C – Diagram A) 3 7/32" length (Dim B – Diagram A) Certain Ford ap-

plications have 2 cups 1 1/8" Diameter. Appropriate horse power range is up to 500 in circle track or road racing, small tire drag racing and 4x4. Also available: Performance Dynamic Cryo Joint.

1330 Spicer Series: 1 1/16" Cup Diameter (Dim C – Diagram A) 3 5/8" length (Dim B – Diagram A) Certain Ford applications have 2 cups 1 1/8" Diameter. Slightly stronger than 1310, Used in 5.0 Mustangs. Also available: Performance Dynamic Cryo Joint.

3R Saginaw Series: 1 1/8" Cup Diameter (Dim C – Diagram A) Retained with internal clip 2 5/8" (Dim B – Diagram A). Most common GM joint. Horse power range up to 700 in road racing and circle track. Solid drag racing U-Joint can accommodate most sportsman classes. Also available: Performance Dynamic Cryo Joint.

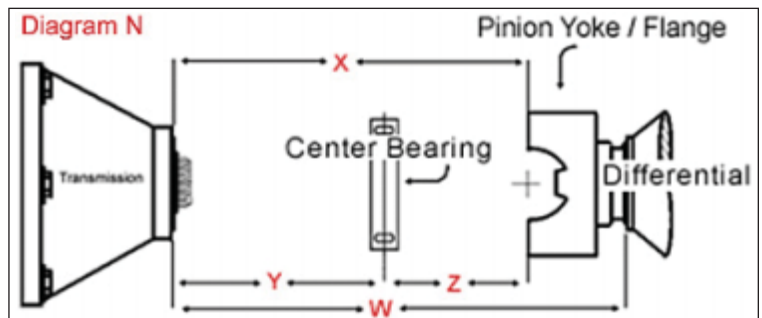
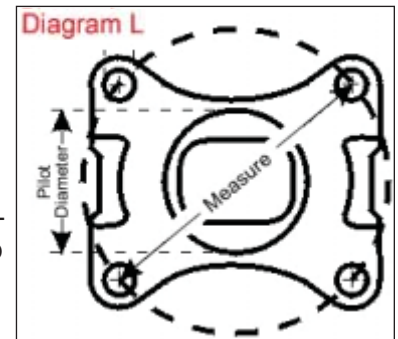
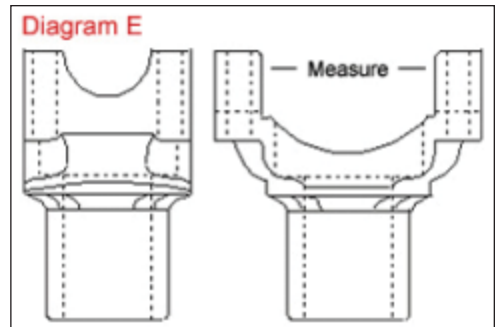
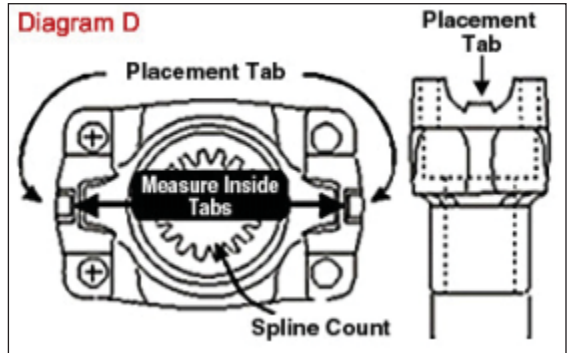
1350 Spicer Series: Manufactured with OEM tolerances and treated with our Cryogenic Process to yield the strongest U-Joint available. For drag racing applications a solid non-lube design U-Joint is recommended because of the tremendous initial shock load, or short duration of high torque the joint must be able to withstand.

Driveshaft Measurements

If PST is supplying you with transmission slip yoke, Pinion yoke and driveshaft yoke measure **Dim W.** **See Diagram N.**

If PST is supplying you with transmission slip yoke and driveshaft measure **Dim X.** **See Diagram N.**

2-Piece driveshafts use **Dim Y + Z.** **See Diagram N.**





Custom Order Release

Please be advised that in placing this order for custom manufactured merchandise you are accepting full responsibility for the correctness and accuracy of all pertinent ordering information. Further, be advised that by filling out and signing this form you are affirming the correctness and accuracy of the information contained herein and authorizing Motor State Distributing to order this custom merchandise. Once this form has been signed, the purchaser assumes full responsibility for paying for the custom merchandise and no refund will be issued unless it can be shown that any errors or defects were the fault of the manufacturer and not caused by erroneous information.

As a rule, custom orders cannot be cancelled once the order is placed with the manufacturer. All custom orders are subject to freight and handling charges from the manufacturer.

No returns will be accepted on custom-built items.

Sales Contact At Motor State _____

Customer Number _____

Company Name _____

Address _____

City _____ State _____ Zip _____

Phone _____

Fax _____

Email _____

Print Your Name _____ Date _____

Authorized Signature _____

If you are submitting this form electronically, your digital signature must be added last. Once signed, this form becomes non-editable. Please double check all items first.

Motor State Distributing
8300 Lane Drive, Watervliet MI 49098

web: www.motorstate.com | phone: 1-800-772-2678 | fax: 1-800-772-2618