



# Wheel Inquiry Form

Fax To Motor State Distributing: 800-772-2618 or  
Email To: sales@motorstate.com • Phone: 800-772-2678

Please fill out **all information** in this form completely and fax or email to Motor State Distributing. A sales representative will contact you.

Attention (Motor State Sales Associate): \_\_\_\_\_

## Your Information

Name: \_\_\_\_\_

Address: \_\_\_\_\_

City: \_\_\_\_\_ State: \_\_\_\_\_ Zip: \_\_\_\_\_

Daytime Phone: \_\_\_\_\_ Fax: \_\_\_\_\_

## Vehicle Information

Year: \_\_\_\_\_  2WD  4WD Make: \_\_\_\_\_ Model: \_\_\_\_\_

### Front Suspension

Factory  Aftermarket

Manufacturer: \_\_\_\_\_

Modifications: \_\_\_\_\_  
\_\_\_\_\_  
\_\_\_\_\_

### Brakes:

Disc  Drum

Factory Brakes  Performance Brakes

Manufacturer \_\_\_\_\_

Template Number \_\_\_\_\_

### Rear Suspension

Factory  Aftermarket

Manufacturer: \_\_\_\_\_

Modifications: \_\_\_\_\_  
\_\_\_\_\_  
\_\_\_\_\_

### Brakes:

Disc  Drum

Factory Brakes  Performance Brakes

Manufacturer \_\_\_\_\_

Template Number \_\_\_\_\_

## New Wheel Information

Wheel Style: \_\_\_\_\_

### Front Wheels

Size: \_\_\_\_\_

Bolt Circle: \_\_\_\_\_

Stud Size: \_\_\_\_\_

### Rear Wheels

Size: \_\_\_\_\_

Bolt Circle: \_\_\_\_\_

Stud Size: \_\_\_\_\_

## Available Options

Polish Backside Of Barrel (\$50.00/Wheel)

Chrome Valve Stems (\$8.95/4-Pack)

Polish Backside Of Center (\$50.00/Wheel)

Lug Nuts (Call For Info.)



# Wheel Order Form

Fax To Motor State Distributing: 800-772-2618 or  
 Email To: sales@motorstate.com • Phone: 800-772-2678

Please fill out **all information** in this form completely and fax or email to Motor State Distributing. A sales representative will contact you.

Date: \_\_\_\_\_ P.O. Number: \_\_\_\_\_ Ordered By: \_\_\_\_\_

## Bill To: \_\_\_\_\_

Customer Number: \_\_\_\_\_ Name: \_\_\_\_\_

Address: \_\_\_\_\_

City: \_\_\_\_\_ State: \_\_\_\_\_ Zip: \_\_\_\_\_

Phone: \_\_\_\_\_ Fax: \_\_\_\_\_

## Ship To: \_\_\_\_\_

Name: \_\_\_\_\_ C/O: \_\_\_\_\_

Address: \_\_\_\_\_

City: \_\_\_\_\_ State: \_\_\_\_\_ Zip: \_\_\_\_\_

Phone: \_\_\_\_\_

## Vehicle Information \_\_\_\_\_

Year: \_\_\_\_\_ Make: \_\_\_\_\_ Model: \_\_\_\_\_

Caliper Clearance: \_\_\_\_\_  2WD  4WD

### Suspension/Brake Modifications


## Wheel Information \_\_\_\_\_

Qty.	Style	Size	Backspace	Bolt Circle	Price (Each)

## Wheel Accessories & Additional Service \_\_\_\_\_

Qty.	Part Number	Description	Price

- \* All wheel orders must be faxed to Motor State Distributing.
- \* If you do not receive an order confirmation please Call: 1 (800) 772-2678. **DO NOT RE-FAX ORDER.**
- \* All drop ship orders require a signature for proof of delivery. No Exceptions.
- \* This order can not be cancelled after 48 hours of being placed.
- \* This order can not be returned under any circumstances after tires have been mounted.
- It is the responsibility of the dealer and the customer to inspect and fit check special order wheels prior to mounting tires.
- We suggest that all special orders require a non-refundable down payment by the dealer.
- Vehicle measuring forms can be downloaded from [www.billet specialties.com](http://www.billet specialties.com) or faxed upon request.

Subtotal	
Tax	
Freight	
<b>Grand Total</b>	

I have read and agree to the Terms & Conditions listed on page 4 of this document  
 (Page 75 of the Vol. 26 Billet Specialties Jobber Price Schedule, Effective 07/01/2011). \_\_\_\_\_  
Initial Here



# Wheel & Suspension Measuring Guide

Fax To Motor State Distributing: 800-772-2618 or  
 Email To: sales@motorstate.com • Phone: 800-772-2678

Please fill out **all information** in this form completely and fax or email to Motor State Distributing. A sales representative will contact you.

## Vehicle Information

Year: \_\_\_\_\_ Make: \_\_\_\_\_ Model: \_\_\_\_\_

Brake System Manufacturer \_\_\_\_\_

Brake Part Number: [Front] \_\_\_\_\_ [Rear] \_\_\_\_\_

Brake Template Number: [Front] \_\_\_\_\_ [Rear] \_\_\_\_\_

Suspension Modifications/Manufacturer:  
 \_\_\_\_\_  
 \_\_\_\_\_

## Front Wheel Section

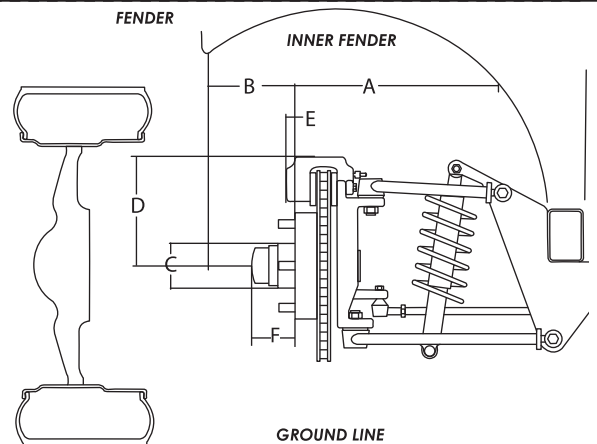
Dimension	Driver Side	Passenger Side
<b>A.</b> Mounting surface to first obstruction frame side*		
<b>B.</b> Mounting surface to inside fender		
<b>C.</b> Hub Diameter		
<b>D.</b> Brake Diameter: Center to top of caliper x 2		
<b>E.</b> Protrusion of caliper past mounting surface		
<b>F.</b> Hub Length		

\*First obstruction that wheel and tire may come in contact with.

Fender Height From Center Of Hub \_\_\_\_\_

Current Wheel Size \_\_\_\_\_ Backspace \_\_\_\_\_

Bolt Pattern \_\_\_\_\_ Current Tire Size \_\_\_\_\_



## Rear Wheel Section

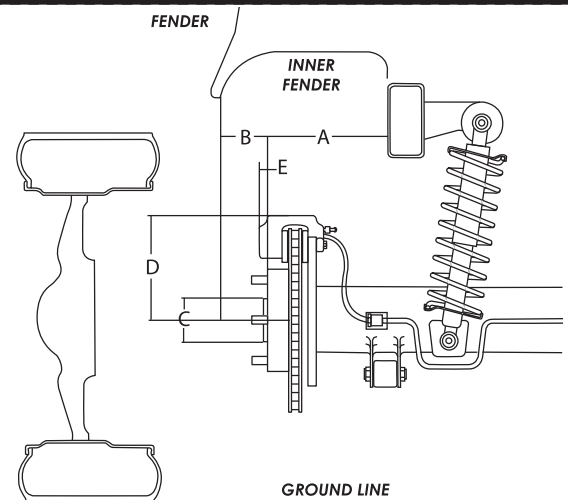
Dimension	Driver Side	Passenger Side
<b>A.</b> Mounting surface to first obstruction frame side*		
<b>B.</b> Mounting surface to inside fender		
<b>C.</b> Hub Diameter		
<b>D.</b> Brake Diameter: Center to top of caliper x 2		
<b>E.</b> Protrusion of caliper past mounting surface		

\*First obstruction that wheel and tire may come in contact with.

Fender Height From Center Of Hub \_\_\_\_\_

Current Wheel Size \_\_\_\_\_ Backspace \_\_\_\_\_

Bolt Pattern \_\_\_\_\_ Current Tire Size \_\_\_\_\_



**Wheel fitments derived from this form are based on your measurements and are strictly suggested sizes. It is important that you review all fitment information before ordering your wheels. Billet Specialties is not responsible for errors in special order fitments.**



## Ordering Procedures/Terms & Conditions

Fax To Motor State Distributing: 800-772-2618 or

Email To: sales@motorstate.com • Phone: 800-772-2678

These are the terms and conditions required by Billet Specialties and Motor State Distributing (Revised for Motor State, Page 75 of the Vol. 26 Billet Specialties Jobber Price Schedule, Effective 07/01/2011).

### PRICING

All prices in this book are subject to change without notice. Billet Specialties is not liable for misprints. Pricing should be confirmed at the time of order.

### FREIGHT POLICY

All shipments are F.O.B. La Grange, IL. All wheels are shipped via Federal Express or carrier chosen by Billet Specialties unless otherwise specified and agreed to by Billet Specialties. Billet Specialties does not assume the responsibility for charges for next day air or 2nd day freight service under any circumstances.

### CLAIMS

Claims for damage, shortage or manufacturing error must be made within (5) five business days from the receipt of shipment. Claims for damage as a result of carrier's negligence must be held at customer location pending disposition from carrier. Claims not made within this period will not be honored by Billet Specialties Inc. Claims for finish problems must be made prior to mounting tires.

### RETURN POLICY AND PROCEDURES

All returned merchandise must have an RGA (Return Goods Authorization) number assigned by Billet Specialties Inc. All returned items must be shipped freight prepaid. Any collect shipment or shipments without an RGA will be refused. All returns are subject to a restocking charge of up to 25%. Mounted wheels are not acceptable for return under any circumstance. Custom built wheels are not returnable. It is the responsibility of both the customer and the dealer to inspect quality and fit check their wheels for correct bolt pattern, caliper clearance and/or finish problems before mounting tires.

### ORDERING PROCEDURE

All orders must be mailed or faxed to Motor State Distributing with a purchase order and the name of the person placing the order. A Motor State representative will sign and confirm the order via return fax. If you do not receive confirmation of your order, do not re-fax the order; contact Motor State 1 (800) 772-2678 by phone. All orders must include year, make, and model of the vehicle, wheel size and backspacing, bolt circle, and wheel style desired. Any modifications, especially brakes, spindles, or suspension made to the vehicle must be considered for the fitment before ordering wheels and must be noted on the order. Vehicle measuring forms can be downloaded from [www.billetpecialties.com](http://www.billetpecialties.com) or faxed upon request. Motor State and Billet Specialties are not responsible for fitments or measurements supplied by the customer. Billet Specialties may require a non-refundable 50% down payment or 100% pre-payment on orders for non-recommended fitments or one of a kind vehicle applications.

### CANCELLED ORDERS

All cancellations must be faxed to Motor State including original purchase order number and signed by your company representative. Any orders over 48 hours old or processed through machining operations cannot be cancelled without a 25% restocking charge. Cancellation of prepaid orders will result in forfeiture of all deposits.

### WARRANTY FOR GENERAL WHEEL LINES

Billet Specialties wheels are warranted to the original owner for three (3) years from date of purchase for defects in material and/or workmanship under normal and intended use. Billet Specialties agrees to repair or replace Billet Specialties brand wheels, at the sole discretion of Billet Specialties Inc. Billet Specialties is not responsible for finish problems due to neglect by the customer. Wheels that have been determined to have been damaged by a tire-mounting machine will be repaired at the customer's expense. Transfer of title of any Billet Specialties products by the original owner voids the warranty. Billet Specialties is not responsible for damage to vehicle or labor costs incurred as a result of failure of warranted items. Billet Specialties warranty is limited to the purchase price of the product. Product will only be inspected for warranty by Billet Specialties, Inc. Any wheel returned for warranty inspection must be accompanied by a copy of your receipt. Warranty claims will not be approved until Billet Specialties, Inc. inspects the product.

Do not mount tires with a sidewall height of more than 8" on a Billet Specialties wheel. Billet Specialties considers this application improper for a two-piece wheel. Warranty is void on wheels when the recommended tire size is exceeded.

### WARRANTY FOR COMP SERIES WHEELS

Billet Specialties Inc. warrants that all of its Billet Specialties Comp wheels & wheel components are free from defects in materials and workmanship for a period of 30 days from the date of original purchase. Billet Specialties is not responsible for damage to vehicle or labor costs incurred as a result of failure of warranted items. Billet Specialties warranty is limited to the purchase price of the product. For complete product warranty, limits and exclusions visit [www.billetpecialties.com](http://www.billetpecialties.com) and click on the Comp Series for details or call 1-866-317-5940 and we will fax it to you. A complete warranty card is shipped with each Comp Series wheel.

## IMPORTANT

All defect returns will be reviewed by quality control personnel and any defects or damage not found to be the responsibility of Billet Specialties Inc. will be rejected and returned to the sender at their expense.

Defects in finish will not be warranted if:

- A: Damage occurred during the mounting
- B: Damage to finish is due to improper care, use of caustic materials for cleaning or neglect
- C: The wheel was sold as a "second" or "blemished" product
- D: The wheel was sold for display purpose
- E: A tire with a sidewall height of more than 8" was mounted to the wheel

## WARNING

For ABS Equipped Vehicles

Always ensure that the size for replacement wheel and tire combinations is within +2% or -3% of the original tire diameter for your vehicle. If it is larger or smaller, you may have to modify the anti-lock brake system (ABS) computer or brake failure may occur.

## Note

Most low profile tires do not offer the same sidewall protection as standard profile tires that may have been original equipment on your vehicle. Low profile tires can increase cornering and stability but can also decrease ride quality and rim protection. The chance of damage to the rim from road hazards will increase with the use of low profile tires.



## Custom Order Release

Please be advised that in placing this order for custom manufactured merchandise you are accepting full responsibility for the correctness and accuracy of all pertinent ordering information. Further, be advised that by filling out and signing this form you are affirming the correctness and accuracy of the information contained herein and authorizing Motor State Distributing to order this custom merchandise. Once this form has been signed, the purchaser assumes full responsibility for paying for the custom merchandise and no refund will be issued unless it can be shown that any errors or defects were the fault of the manufacturer and not caused by erroneous information.

As a rule, custom orders cannot be cancelled once the order is placed with the manufacturer. All custom orders are subject to freight and handling charges from the manufacturer.

**No returns will be accepted on custom-built items.**

Sales Contact At Motor State \_\_\_\_\_

Customer Number \_\_\_\_\_

Company Name \_\_\_\_\_

Address \_\_\_\_\_

City \_\_\_\_\_ State \_\_\_\_\_ Zip \_\_\_\_\_

Phone \_\_\_\_\_

Fax \_\_\_\_\_

Email \_\_\_\_\_

Print Your Name \_\_\_\_\_ Date \_\_\_\_\_

Authorized Signature \_\_\_\_\_

**If you are submitting this form electronically, your digital signature must be added last. Once signed, this form becomes non-editable. Please double check all items first.**

Motor State Distributing  
8300 Lane Drive, Watervliet MI 49098

web: [www.motorstate.com](http://www.motorstate.com) | phone: 1-800-772-2678 | fax: 1-800-772-2618