

**1. Shipping Address** \*We cannot deliver to PO box!

Home Phone \_\_\_\_\_

Name \_\_\_\_\_

Address \_\_\_\_\_

City \_\_\_\_\_ State \_\_\_\_\_ Zip \_\_\_\_\_

**2. Credit Card Billing Address**

Name on card \_\_\_\_\_

Address \_\_\_\_\_

City \_\_\_\_\_ State \_\_\_\_\_ Zip \_\_\_\_\_

Work Phone \_\_\_\_\_

**3. Billing Information**

Credit Card # \_\_\_\_\_

Expiration Date \_\_\_\_\_

Certified Check/Money Order

### Vehicle Information

Vehicle Year: \_\_\_\_\_ Make: \_\_\_\_\_ Model: \_\_\_\_\_

Please check the selection below that best describes your application:

Street     Race     Off Road     Custom     Other \_\_\_\_\_

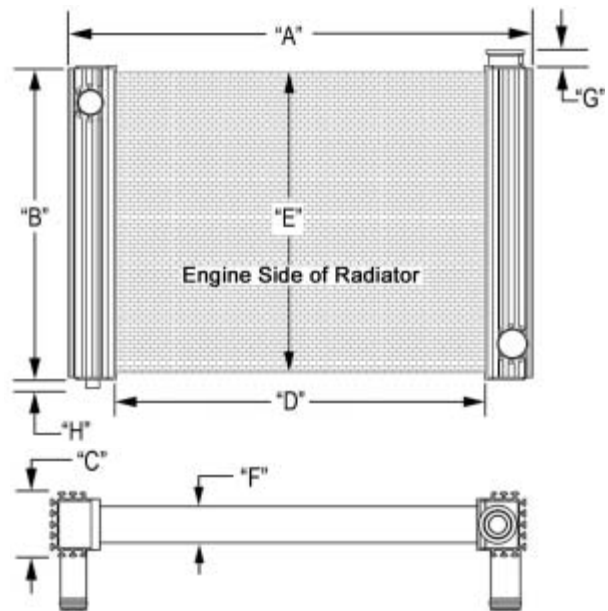
Engine Size (cubic inch or liter) \_\_\_\_\_ Estimated Output (horsepower) \_\_\_\_\_

Type of fan to be used:     Flex-a-lite Electric     Other Electric     Mechanical

### Radiator Sizes

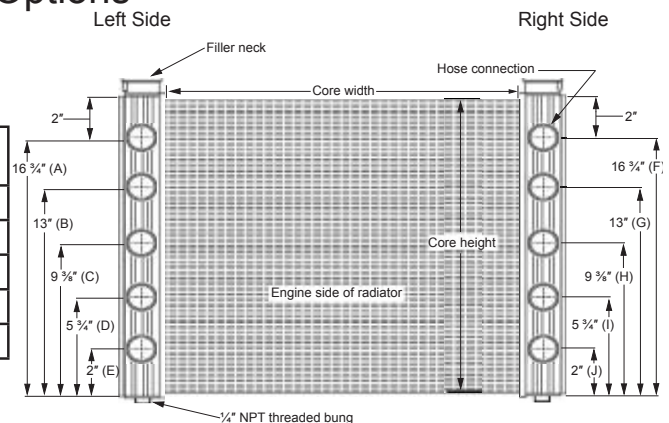
Choose the radiator part number that best fits your application.

	A	B	C	D	E	F	G	H
<input type="checkbox"/> 63000MOD	20 1/8"	14 3/4"	2 1/4"	15 1/4"	14 1/4"	1 1/2"	1"	1 1/2"
<input type="checkbox"/> 61000MOD	22 1/2"	18 1/2"	2 1/4"	17"	18"	1 1/2"	1"	1 1/2"
<input type="checkbox"/> 51000MOD	22 1/2"	18 1/2"	3 3/4"	17"	18"	2 1/4"	1"	1 1/2"
<input type="checkbox"/> 62000MOD	27 1/2"	18 1/2"	2 1/4"	22"	18"	1 1/2"	1"	1 1/2"
<input type="checkbox"/> 52000MOD	27 1/2"	18 1/2"	3 3/4"	22"	18"	2 1/4"	1"	1 1/2"
<input type="checkbox"/> 55000MOD	31 5/8"	12 1/2"	3 3/4"	26 1/4"	12"	2 1/4"	1"	1 1/2"
<input type="checkbox"/> 56000MOD	31 5/8"	18 1/2"	3 3/4"	26 1/4"	18"	2 1/4"	1"	1 1/2"
<input type="checkbox"/> 66000MOD	32"	15 5/8"	2 1/4"	26 1/4"	15"	1 1/2"	1"	1 1/2"
<input type="checkbox"/> 58000MOD	33 5/8"	18 1/2"	3 3/4"	28"	18"	2 1/4"	1"	1 1/2"
<input type="checkbox"/> 57000MOD	38"	18 1/2"	3 3/4"	32 1/2"	18"	2 1/4"	1"	1 1/2"



### Radiator Options

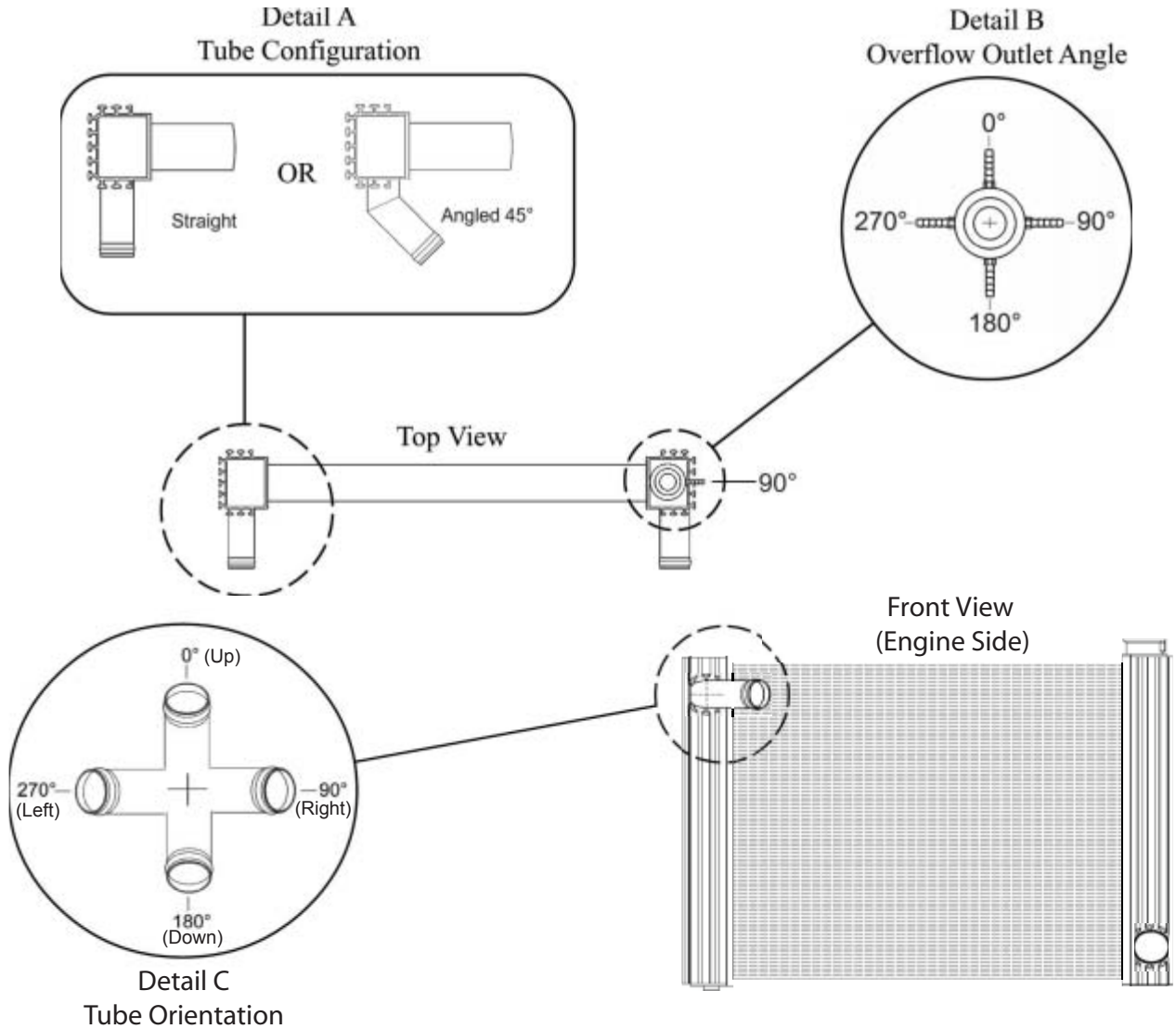
Left Tank In/Out Location & Size	Right Tank In/Out Location & Size	1/4" NPT Bung	Filler Neck
<input type="checkbox"/> A <input type="checkbox"/> 1 1/2" or <input type="checkbox"/> 1 3/4"	<input type="checkbox"/> F <input type="checkbox"/> 1 1/2" or <input type="checkbox"/> 1 3/4"	<input type="checkbox"/> RH	<input type="checkbox"/> RH
<input type="checkbox"/> B <input type="checkbox"/> 1 1/2" or <input type="checkbox"/> 1 3/4"	<input type="checkbox"/> G <input type="checkbox"/> 1 1/2" or <input type="checkbox"/> 1 3/4"	<input type="checkbox"/> LH	<input type="checkbox"/> LH
<input type="checkbox"/> C <input type="checkbox"/> 1 1/2" or <input type="checkbox"/> 1 3/4"	<input type="checkbox"/> H <input type="checkbox"/> 1 1/2" or <input type="checkbox"/> 1 3/4"	<input type="checkbox"/> Both	<input type="checkbox"/> None
<input type="checkbox"/> D <input type="checkbox"/> 1 1/2" or <input type="checkbox"/> 1 3/4"	<input type="checkbox"/> I <input type="checkbox"/> 1 1/2" or <input type="checkbox"/> 1 3/4"	<input type="checkbox"/> None	
<input type="checkbox"/> E <input type="checkbox"/> 1 1/2" or <input type="checkbox"/> 1 3/4"	<input type="checkbox"/> J <input type="checkbox"/> 1 1/2" or <input type="checkbox"/> 1 3/4"		



Internal Use Only: DTR

Upper Connection Configuration* (see detail A)	Upper Connection Position (see detail C)	Lower Connection Configuration* (see detail A)	Lower Connection Position (see detail C)	Overflow Outlet Position (see detail B)
<input type="checkbox"/> Straight	<input type="checkbox"/> 0° (up)	<input type="checkbox"/> Straight	<input type="checkbox"/> 0° (up)	<input type="checkbox"/> 0°
	<input type="checkbox"/> 90° (right)		<input type="checkbox"/> 90° (right)	<input type="checkbox"/> 90°
<input type="checkbox"/> Angled 45° (must specify position)	<input type="checkbox"/> 180° (down)	<input type="checkbox"/> Angled 45° (must specify position)	<input type="checkbox"/> 180° (down)	<input type="checkbox"/> 180°
	<input type="checkbox"/> 270° (left)		<input type="checkbox"/> 270° (left)	<input type="checkbox"/> 270°

\*If you checked "Straight" in the "Connection Configuration" column, disregard "Connection Position"



Internal Use Only: DTR



## Custom Order Release

Please be advised that in placing this order for custom manufactured merchandise you are accepting full responsibility for the correctness and accuracy of all pertinent ordering information. Further, be advised that by filling out and signing this form you are affirming the correctness and accuracy of the information contained herein and authorizing Motor State Distributing to order this custom merchandise. Once this form has been signed, the purchaser assumes full responsibility for paying for the custom merchandise and no refund will be issued unless it can be shown that any errors or defects were the fault of the manufacturer and not caused by erroneous information.

As a rule, custom orders cannot be cancelled once the order is placed with the manufacturer. All custom orders are subject to freight and handling charges from the manufacturer.

**No returns will be accepted on custom-built items.**

Sales Contact At Motor State \_\_\_\_\_

Customer Number \_\_\_\_\_

Company Name \_\_\_\_\_

Address \_\_\_\_\_

City \_\_\_\_\_ State \_\_\_\_\_ Zip \_\_\_\_\_

Phone \_\_\_\_\_

Fax \_\_\_\_\_

Email \_\_\_\_\_

Print Your Name \_\_\_\_\_ Date \_\_\_\_\_

Authorized Signature \_\_\_\_\_

**If you are submitting this form electronically, your digital signature must be added last. Once signed, this form becomes non-editable. Please double check all items first.**

Motor State Distributing

8300 Lane Drive, Watervliet MI 49098

web: [www.motorstate.com](http://www.motorstate.com) | phone: 1-800-772-2678 | fax: 1-800-772-2618