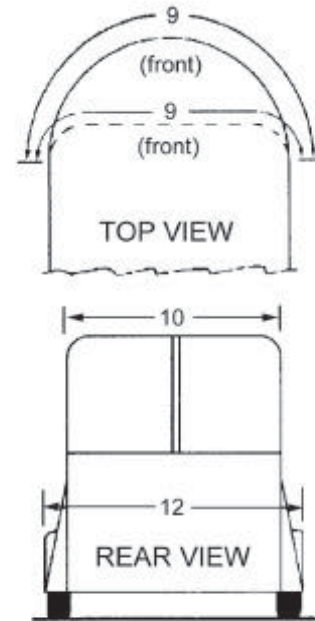
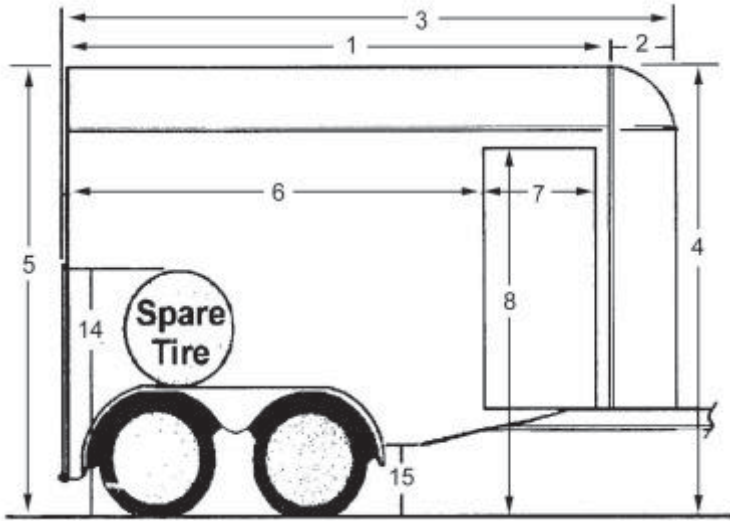


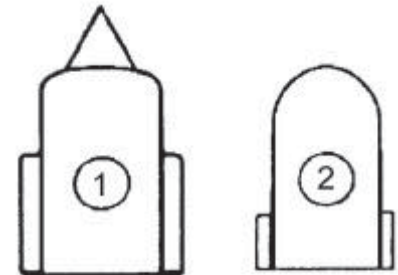


**DIMENSION SHEET - CARGO / HORSE TRAILER
(BUMPER PULL)**

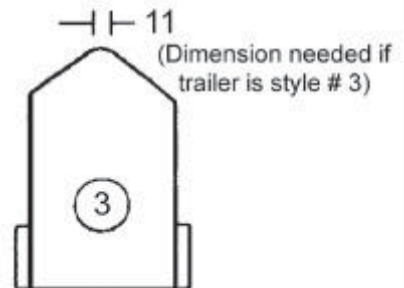


NOTE: All measurements, except # 9, are taken on a straight horizontal or vertical line, NOT a curve or slant.

- 1 Distance from rear of trailer to seam _____
- 2 Distance from seam to front of trailer _____
- 3 Overall length, front to rear _____
- 4 Ground to top of roof at front _____
- 5 Ground to top of roof at rear _____
- Complete 6, 7 and 8 if ordering a zippered door.**
- 6 Distance from rear of trailer to door _____
- 7 Door width (Note which side of trailer the door is on) _____
- 8 Ground to top of door _____
- 9 Distance from seam on one side, around the front to the seam on the other side. _____
- 10 Width of body, NOT including the fenders _____
- 11 Width of body at front, if trailer is style # 3 (at right) _____
- 12 Overall width at rear, including fenders _____
- 13 If trailer is style # 3, height of top at front from ground _____
- 14 If trailer has a spare, height to top from ground _____
- 15 Ground clearance _____



Top Views of Different Styles
Check the style that corresponds to this trailer.



Trailer Information

Does the trailer have an AC? _____

If yes, give measurements from rear of trailer to AC _____

Year _____

Make _____ Style (at right) _____

Model _____

NAME _____

Daytime phone _____

Date of order _____



Custom Order Release

Please be advised that in placing this order for custom manufactured merchandise you are accepting full responsibility for the correctness and accuracy of all pertinent ordering information. Further, be advised that by filling out and signing this form you are affirming the correctness and accuracy of the information contained herein and authorizing Motor State Distributing to order this custom merchandise. Once this form has been signed, the purchaser assumes full responsibility for paying for the custom merchandise and no refund will be issued unless it can be shown that any errors or defects were the fault of the manufacturer and not caused by erroneous information.

As a rule, custom orders cannot be cancelled once the order is placed with the manufacturer. All custom orders are subject to freight and handling charges from the manufacturer.

No returns will be accepted on custom-built items.

Sales Contact At Motor State _____

Customer Number _____

Company Name _____

Address _____

City _____ State _____ Zip _____

Phone _____

Fax _____

Email _____

Print Your Name _____ Date _____

Authorized Signature _____

If you are submitting this form electronically, your digital signature must be added last. Once signed, this form becomes non-editable. Please double check all items first.

Motor State Distributing

8300 Lane Drive, Watervliet MI 49098

web: www.motorstate.com | phone: 1-800-772-2678 | fax: 1-800-772-2618