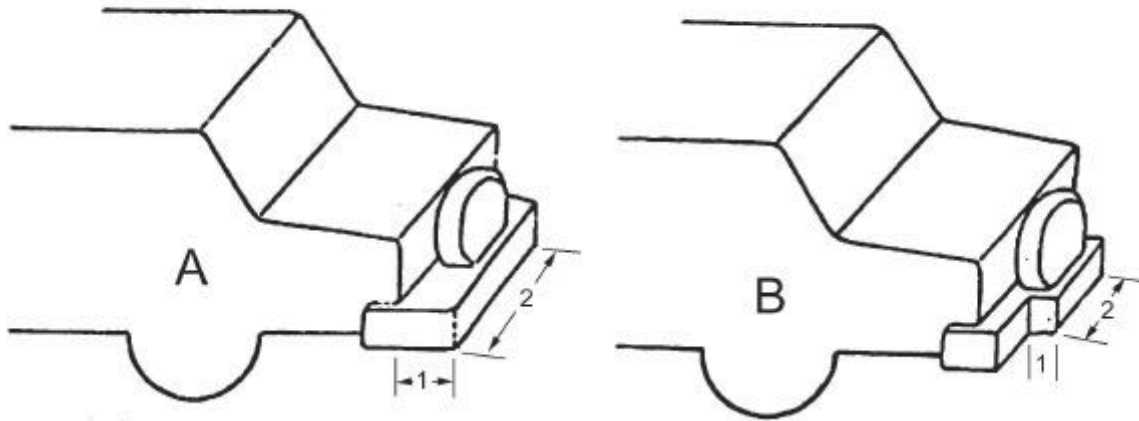




DIMENSION SHEET - CONTINENTAL KIT



There are two styles of continental kits, one where the rear bumper has been extended over its full width (style "A"), and the other, where the bumper has been extended at the area of the continental kit only (style "B").

Please indicate which style of continental kit is on the vehicle _____

In some continental kits the top of the tire extends above the top of the trunk.

Please note the distance the tire extends above the top of the trunk (inches) _____

(If the tire is even with the top of the trunk, or below it, enter "0")

Measure the vehicle for dimensions "1" and "2" shown in the drawings above (depending on which style of continental kit is being used.

"1" _____

"2" _____

Year of Vehicle _____

Make _____

Model or Series _____

Body Style _____

Name _____

Daytime phone _____

Date of Order _____

DIMS 195 (12/99)



Custom Order Release

Please be advised that in placing this order for custom manufactured merchandise you are accepting full responsibility for the correctness and accuracy of all pertinent ordering information. Further, be advised that by filling out and signing this form you are affirming the correctness and accuracy of the information contained herein and authorizing Motor State Distributing to order this custom merchandise. Once this form has been signed, the purchaser assumes full responsibility for paying for the custom merchandise and no refund will be issued unless it can be shown that any errors or defects were the fault of the manufacturer and not caused by erroneous information.

As a rule, custom orders cannot be cancelled once the order is placed with the manufacturer. All custom orders are subject to freight and handling charges from the manufacturer.

No returns will be accepted on custom-built items.

Sales Contact At Motor State _____

Customer Number _____

Company Name _____

Address _____

City _____ State _____ Zip _____

Phone _____

Fax _____

Email _____

Print Your Name _____ Date _____

Authorized Signature _____

If you are submitting this form electronically, your digital signature must be added last. Once signed, this form becomes non-editable. Please double check all items first.

Motor State Distributing
8300 Lane Drive, Watervliet MI 49098

web: www.motorstate.com | phone: 1-800-772-2678 | fax: 1-800-772-2618