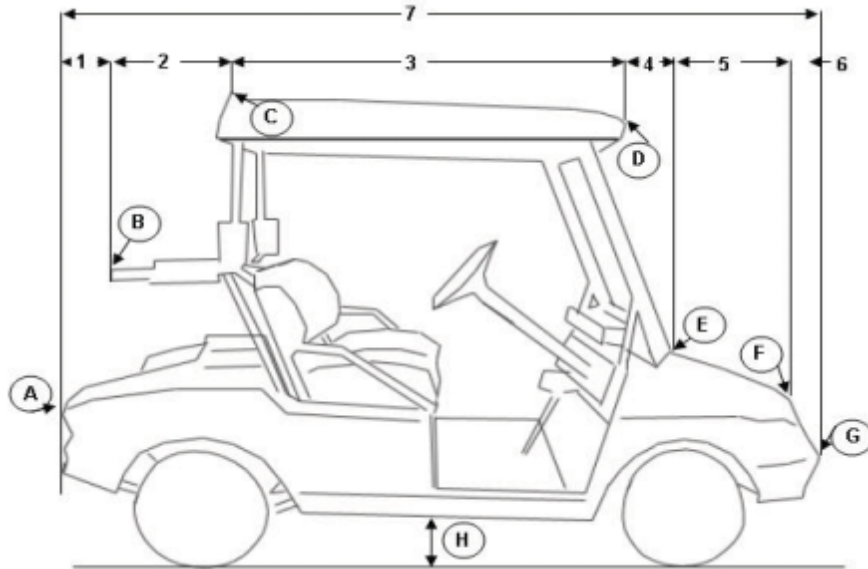




DIMENSION SHEET - GOLF CART



Lengths - Measured Horizontally

- # 1 Rear bumper to rack _____
- # 2 Rack to rear of roof _____
- # 3 Rear of roof to front of roof _____
- # 4 Front of roof to base of windshield _____
- # 5 Base of windshield to front of hood _____
- # 6 Front of hood to front of bumper _____
- # 7 Overall Length _____

Heights - Measured from Ground

- A Height to top of rear bumper _____
- B Height to top of rear rack _____
- C Height at rear of roof _____
- D Height at front of roof _____
- E Height at base of windshield _____
- F Height at front of hood _____
- G Height at front bumper _____
- H Road clearance _____

If measured correctly, the sum of #1 thru #6 should be the same as #7

Widths, Measured Side to Side at Points Shown

- | | |
|---|-------------------------------------|
| A Width of rear bumper at point "A" _____ | E Width at base of windshield _____ |
| B Width of body at point "B" _____ | F Width at front of hood _____ |
| C Width of roof at point "C" _____ | G Width at front bumper _____ |
| D Width of roof at point "D" _____ | |

Draw in any accessories, noting the measurements and location (example - basket, wind wings, etc.)

Vehicle Information

MAKE _____

MODEL _____

YEAR _____

NAME _____

Daytime phone _____

Date of order _____

A photo of the vehicle will help us make the pattern. The photo will be returned if requested



Custom Order Release

Please be advised that in placing this order for custom manufactured merchandise you are accepting full responsibility for the correctness and accuracy of all pertinent ordering information. Further, be advised that by filling out and signing this form you are affirming the correctness and accuracy of the information contained herein and authorizing Motor State Distributing to order this custom merchandise. Once this form has been signed, the purchaser assumes full responsibility for paying for the custom merchandise and no refund will be issued unless it can be shown that any errors or defects were the fault of the manufacturer and not caused by erroneous information.

As a rule, custom orders cannot be cancelled once the order is placed with the manufacturer. All custom orders are subject to freight and handling charges from the manufacturer.

No returns will be accepted on custom-built items.

Sales Contact At Motor State _____

Customer Number _____

Company Name _____

Address _____

City _____ State _____ Zip _____

Phone _____

Fax _____

Email _____

Print Your Name _____ Date _____

Authorized Signature _____

If you are submitting this form electronically, your digital signature must be added last. Once signed, this form becomes non-editable. Please double check all items first.

Motor State Distributing

8300 Lane Drive, Watervliet MI 49098

web: www.motorstate.com | phone: 1-800-772-2678 | fax: 1-800-772-2618