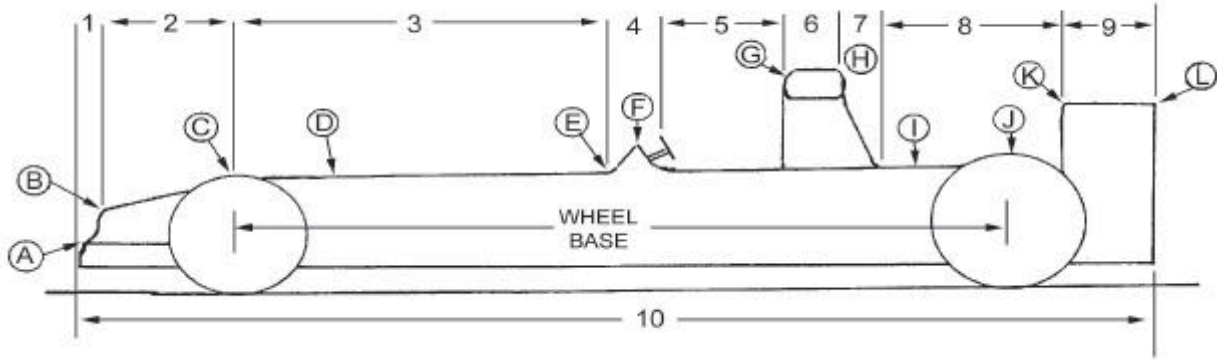




DIMENSION SHEET - FORMULA / INDY RACE CAR



- Lengths - Measured Horizontally**
- # 1 Front of wing to front of nose _____
 - # 2 Front of nose to center of wheel _____
 - # 3 Center of wheel to front of windscreen _____
 - # 4 Front of windscreen to steering wheel _____
 - # 5 Steering wheel to air intake _____
 - # 6 Front of air intake to rear of intake _____
 - # 7 Rear of air intake to base of intake _____
 - # 8 Base of intake to front of rear wing _____
 - # 9 Front of rear wing to rear of rear wing _____
 - Total _____
 - # 10 Overall length _____

- Heights - Measured from Ground**
- A Height of front wing _____
 - B Height of front nose _____
 - C Height of front tire _____
 - D Height of body _____
 - E Height of body at windscreen _____
 - F Height at top of windscreen _____
 - G Height of air intake at front _____
 - H Height of air intake at rear _____
 - I Height of body at point "I" _____
 - J Height of rear tire _____
 - K Height of rear wing at front _____
 - L Height of rear wing at rear _____

If you have measured correctly, the total of # 1 through # 9 should be the same as # 10.

Wheel base of vehicle - center of front wheel to center of rear wheel _____

Widths, Measured Side to Side at Points Shown

- A Width of front wing _____
- B Width of front nose _____
- C Width across front tires _____
- D Width across top of body at point "D" _____
- E Width of body at windscreen _____
- F Width at top of windscreen _____
- G Width at front of air intake _____
- H Width at rear of air intake _____
- I Width of body at point "I" _____
- J Width across rear tires _____
- K Width across front of rear wing _____
- L Width across rear of rear wing _____

Vehicle Information

A photo of the vehicle will help us make the pattern. The photo can be returned if requested.

MAKE _____
 MODEL _____
 YEAR _____
 NAME _____
 Daytime phone _____
 Date of order _____



Custom Order Release

Please be advised that in placing this order for custom manufactured merchandise you are accepting full responsibility for the correctness and accuracy of all pertinent ordering information. Further, be advised that by filling out and signing this form you are affirming the correctness and accuracy of the information contained herein and authorizing Motor State Distributing to order this custom merchandise. Once this form has been signed, the purchaser assumes full responsibility for paying for the custom merchandise and no refund will be issued unless it can be shown that any errors or defects were the fault of the manufacturer and not caused by erroneous information.

As a rule, custom orders cannot be cancelled once the order is placed with the manufacturer. All custom orders are subject to freight and handling charges from the manufacturer.

No returns will be accepted on custom-built items.

Sales Contact At Motor State _____

Customer Number _____

Company Name _____

Address _____

City _____ State _____ Zip _____

Phone _____

Fax _____

Email _____

Print Your Name _____ Date _____

Authorized Signature _____

If you are submitting this form electronically, your digital signature must be added last. Once signed, this form becomes non-editable. Please double check all items first.

Motor State Distributing

8300 Lane Drive, Watervliet MI 49098

web: www.motorstate.com | phone: 1-800-772-2678 | fax: 1-800-772-2618