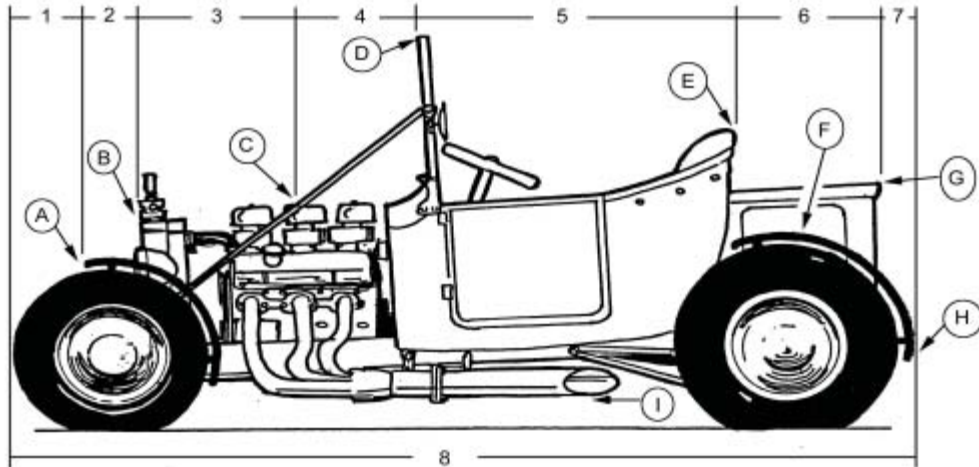




1923 Ford  
"T" Bucket  
Roadster,  
no top,  
w/rods or  
straps



**Lengths - Measured Horizontally**

- # 1 Front of car to front of fender \_\_\_\_\_
- # 2 Front of fender to front of hood \_\_\_\_\_
- # 3 Front of hood to rods or straps \_\_\_\_\_
- # 4 Straps or rods to top of windshield \_\_\_\_\_
- # 5 Front of windshield to rear of seat \_\_\_\_\_
- # 6 Rear of seatback to rear of box \_\_\_\_\_
- # 7 Rear of box to rear of tire \_\_\_\_\_
- # 8 Overall length, front to rear \_\_\_\_\_

If you have measured correctly, the sum of # 1 through # 7 should equal # 8.

**Heights - Measured from Ground**

- HA Height to top of front fender \_\_\_\_\_
- HB Height to top hood \_\_\_\_\_
- HC Height at straps or rods \_\_\_\_\_
- HD Height at top of windshield \_\_\_\_\_
- HE Height at top of seat backrest \_\_\_\_\_
- HF Height at top of rear fenders \_\_\_\_\_
- HG Height at rear of box \_\_\_\_\_
- HH Height at rear of car \_\_\_\_\_
- HI Ground clearance \_\_\_\_\_

**Widths, Measured Side to Side at Points Shown**

- WA Width of car at front fender \_\_\_\_\_
- WB Width across front hood \_\_\_\_\_
- WC Width across straps or rods \_\_\_\_\_
- WD Width at top of windshield \_\_\_\_\_
- WE Width at top of seat backrest \_\_\_\_\_
- WF Width of car across fenders \_\_\_\_\_
- WG Width of box at rear \_\_\_\_\_
- WH Width of car at rear fenders \_\_\_\_\_

**Vehicle Information**

A photo of the vehicle will help us make the pattern. The photo can be returned if requested.

MAKE \_\_\_\_\_

MODEL \_\_\_\_\_

YEAR \_\_\_\_\_

NAME \_\_\_\_\_

Daytime phone \_\_\_\_\_

Date of order \_\_\_\_\_

DIMS 170 (06/02)



## Custom Order Release

Please be advised that in placing this order for custom manufactured merchandise you are accepting full responsibility for the correctness and accuracy of all pertinent ordering information. Further, be advised that by filling out and signing this form you are affirming the correctness and accuracy of the information contained herein and authorizing Motor State Distributing to order this custom merchandise. Once this form has been signed, the purchaser assumes full responsibility for paying for the custom merchandise and no refund will be issued unless it can be shown that any errors or defects were the fault of the manufacturer and not caused by erroneous information.

As a rule, custom orders cannot be cancelled once the order is placed with the manufacturer. All custom orders are subject to freight and handling charges from the manufacturer.

**No returns will be accepted on custom-built items.**

Sales Contact At Motor State \_\_\_\_\_

Customer Number \_\_\_\_\_

Company Name \_\_\_\_\_

Address \_\_\_\_\_

City \_\_\_\_\_ State \_\_\_\_\_ Zip \_\_\_\_\_

Phone \_\_\_\_\_

Fax \_\_\_\_\_

Email \_\_\_\_\_

Print Your Name \_\_\_\_\_ Date \_\_\_\_\_

Authorized Signature \_\_\_\_\_

**If you are submitting this form electronically, your digital signature must be added last. Once signed, this form becomes non-editable. Please double check all items first.**

Motor State Distributing  
8300 Lane Drive, Watervliet MI 49098

web: [www.motorstate.com](http://www.motorstate.com) | phone: 1-800-772-2678 | fax: 1-800-772-2618