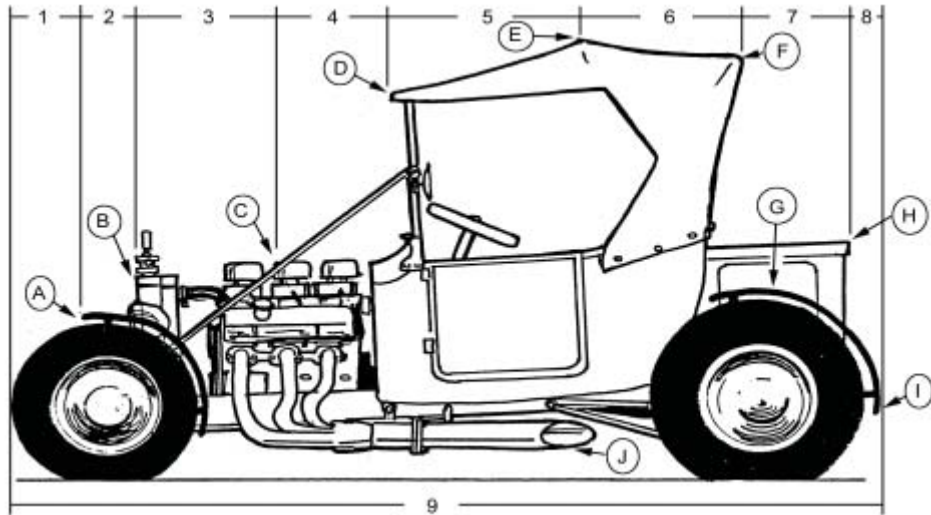




**1923 Ford
"T" Bucket
Roadster,
with top &
w/rods or
straps to
windshield**



Lengths - Measured Horizontally

- # 1 Front of car to front of fender _____
- # 2 Front of fender to front of hood _____
- # 3 Front of hood to rods or straps _____
- # 4 Rods or straps to front of roof _____
- # 5 Front of roof to highpoint of roof _____
- # 6 Highpoint of roof to rear of roof _____
- # 7 Rear of roof to rear of box _____
- # 8 Rear of box to rear of car _____
- # 9 Overall length, front to rear _____

Heights - Measured from Ground

- HA Height to top of front fender _____
- HB Height to top hood _____
- HC Height at straps or rods _____
- HD Height at front of roof _____
- HE Height at highpoint of roof _____
- HF Height at rear of roof _____
- HG Height at top of rear fender _____
- HI Height at rear of car _____
- HJ Ground clearance _____

If you have measured correctly, the sum of # 1 through # 8 should equal # 9.

Widths, Measured Side to Side at Points Shown

- WA Width of car at front fender _____
- WB Width across front hood _____
- WC Width across straps or rods _____
- WD Width of roof at front _____
- WE Width of roof at highpoint _____
- WF Width of roof at rear _____
- WG Width of car at rear fenders _____
- WH Width of box at rear _____
- WI Width of car at rear _____

Vehicle Information

A photo of the vehicle will help us make the pattern. The photo can be returned if requested.

MAKE _____

MODEL _____

YEAR _____

NAME _____

Daytime phone _____

Date of order _____

DIMS 168 (10/03)



Custom Order Release

Please be advised that in placing this order for custom manufactured merchandise you are accepting full responsibility for the correctness and accuracy of all pertinent ordering information. Further, be advised that by filling out and signing this form you are affirming the correctness and accuracy of the information contained herein and authorizing Motor State Distributing to order this custom merchandise. Once this form has been signed, the purchaser assumes full responsibility for paying for the custom merchandise and no refund will be issued unless it can be shown that any errors or defects were the fault of the manufacturer and not caused by erroneous information.

As a rule, custom orders cannot be cancelled once the order is placed with the manufacturer. All custom orders are subject to freight and handling charges from the manufacturer.

No returns will be accepted on custom-built items.

Sales Contact At Motor State _____

Customer Number _____

Company Name _____

Address _____

City _____ State _____ Zip _____

Phone _____

Fax _____

Email _____

Print Your Name _____ Date _____

Authorized Signature _____

If you are submitting this form electronically, your digital signature must be added last. Once signed, this form becomes non-editable. Please double check all items first.

Motor State Distributing

8300 Lane Drive, Watervliet MI 49098

web: www.motorstate.com | phone: 1-800-772-2678 | fax: 1-800-772-2618