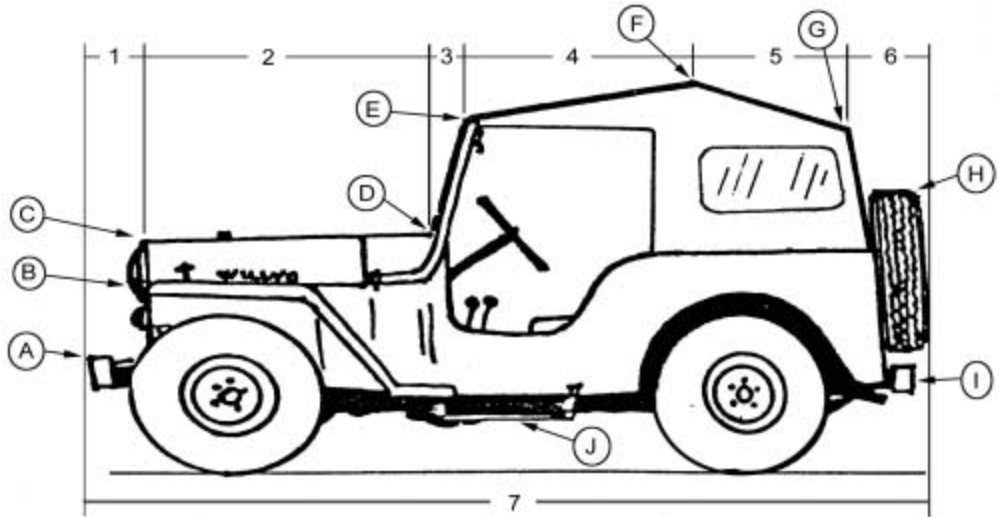




Jeep®
with Top &
Rear Spare



- Lengths - Measured Horizontally**
- # 1 Front of front bumper to front of hood _____
 - # 2 Front of hood to base of windshield _____
 - # 3 Base of windshield to front of roof _____
 - # 4 Front of roof to highpoint of roof _____
 - # 5 Highpoint of roof to rear of roof _____
 - # 6 Rear of roof to rear edge of spare _____
 - # 7 Overall length, front to rear _____

If you have measured correctly, the sum of # 1 through # 6 should equal # 7.

- Heights - Measured from Ground**
- HA Height to top of front bumper _____
 - HB Height at top of front fender _____
 - HC Height at front of hood _____
 - HD Height at base of windshield _____
 - HE Height at front of roof _____
 - HF Height at highpoint of of roof _____
 - HG Height at rear of roof _____
 - HH Height at rear of spare tire _____
 - HI Height at top of rear bumper _____
 - HJ Ground clearance _____

Widths, Measured Side to Side at Points Shown

- WA Width at front bumper _____
- WB Width at front of fenders _____
- WC Width at front of hood _____
- WD Width at base of windshield _____
- WE Width of roof at front _____
- WF Width of roof at highpoint _____
- WG Width of roof at rear _____
- WH Width at rear of spare _____
- WI Width at rear bumper _____

Draw in any options / accessories on this vehicle and note their dimensions - winches, light bars, etc.

Vehicle Information

YEAR _____

MAKE _____

MODEL _____

Name _____

Daytime phone _____

Date of order _____

A photo of the vehicle will help us make the pattern. The photo can be returned if requested.

DIMS 136 (4/03)



Custom Order Release

Please be advised that in placing this order for custom manufactured merchandise you are accepting full responsibility for the correctness and accuracy of all pertinent ordering information. Further, be advised that by filling out and signing this form you are affirming the correctness and accuracy of the information contained herein and authorizing Motor State Distributing to order this custom merchandise. Once this form has been signed, the purchaser assumes full responsibility for paying for the custom merchandise and no refund will be issued unless it can be shown that any errors or defects were the fault of the manufacturer and not caused by erroneous information.

As a rule, custom orders cannot be cancelled once the order is placed with the manufacturer. All custom orders are subject to freight and handling charges from the manufacturer.

No returns will be accepted on custom-built items.

Sales Contact At Motor State _____

Customer Number _____

Company Name _____

Address _____

City _____ State _____ Zip _____

Phone _____

Fax _____

Email _____

Print Your Name _____ Date _____

Authorized Signature _____

If you are submitting this form electronically, your digital signature must be added last. Once signed, this form becomes non-editable. Please double check all items first.

Motor State Distributing

8300 Lane Drive, Watervliet MI 49098

web: www.motorstate.com | phone: 1-800-772-2678 | fax: 1-800-772-2618