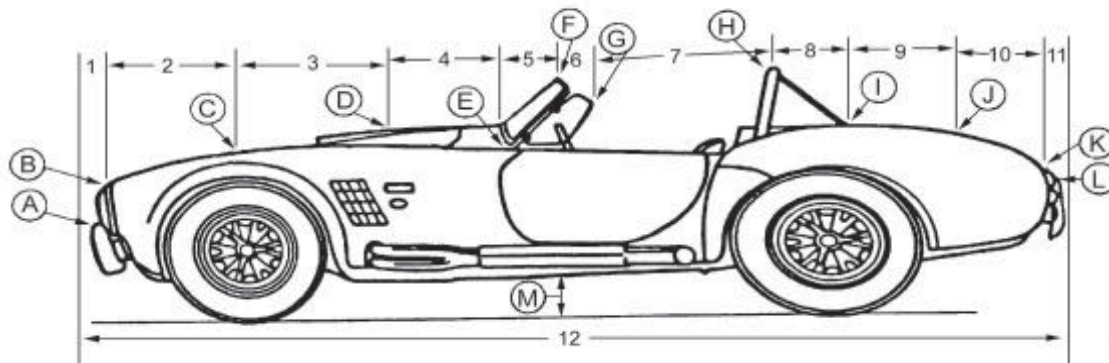




DIMENSION SHEET - COBRA



Lengths - Measured Horizontally

- # 1 Corner of front bumper to front of hood _____
- # 2 Front of hood to midpoint of front wheel _____
- # 3 Midpoint of front wheel to point "D" _____
- # 4 Point "D" to base of windshield _____
- # 5 Base of windshield to top of windshield _____
- # 6 Top of windshield to rear edge of wind wings _____
- # 7 End of wind wings to roll bar _____
- # 8 Top of roll bar to base of roll bar support _____
- # 9 Roll bar support to point "J" _____
- # 10 Mid-point of trunk (J) to end of trunk _____
- # 11 End of trunk to end of bumper or nerf bar _____
- Total _____
- # 12 Overall length at corner of bumpers _____

Heights - Measured from Ground

- HA Height at "A" _____
- HB Height at "B" _____
- HC Height at "C" _____
- HD Height at "D" _____
- HE Height at "E" _____
- HF Height at "F" _____
- HG Height at "G" _____
- HH Height at "H" _____
- HI Height at "I" _____
- HJ Height at "J" _____
- HK Height at "K" _____
- HL Height at "L" _____
- HM Height at "M" _____

If you have measured correctly, the total of # 1 through # 11 should be the same as # 12.

Widths, Measured Side to Side at Points Shown

- WA Width across front of car at point "A" _____
- WB Width across nose of hood at point "B" _____
- WC Width across hood at point "C" _____
- WD Width across hood at point "D" _____
- WE Width across hood at base of windshield _____
- WF Width across top of windshield _____
- WG Width across wind wings _____
- WH Width across top of roll bar _____
- WI Width across trunk at point "I" _____
- WJ Width across trunk at point "J" _____
- WK Width across rear of trunk _____
- WL Width of car at rear _____

Vehicle Information

A photo of the vehicle will help us make the pattern. The photo can be returned if requested.

MAKE _____

MODEL _____

YEAR _____

NAME _____

Daytime phone _____

Date of order _____

DIMS 123 (09/03)



Custom Order Release

Please be advised that in placing this order for custom manufactured merchandise you are accepting full responsibility for the correctness and accuracy of all pertinent ordering information. Further, be advised that by filling out and signing this form you are affirming the correctness and accuracy of the information contained herein and authorizing Motor State Distributing to order this custom merchandise. Once this form has been signed, the purchaser assumes full responsibility for paying for the custom merchandise and no refund will be issued unless it can be shown that any errors or defects were the fault of the manufacturer and not caused by erroneous information.

As a rule, custom orders cannot be cancelled once the order is placed with the manufacturer. All custom orders are subject to freight and handling charges from the manufacturer.

No returns will be accepted on custom-built items.

Sales Contact At Motor State _____

Customer Number _____

Company Name _____

Address _____

City _____ State _____ Zip _____

Phone _____

Fax _____

Email _____

Print Your Name _____ Date _____

Authorized Signature _____

If you are submitting this form electronically, your digital signature must be added last. Once signed, this form becomes non-editable. Please double check all items first.

Motor State Distributing
8300 Lane Drive, Watervliet MI 49098

web: www.motorstate.com | phone: 1-800-772-2678 | fax: 1-800-772-2618