



Quick Turn Starter Kit

TECH TIPS

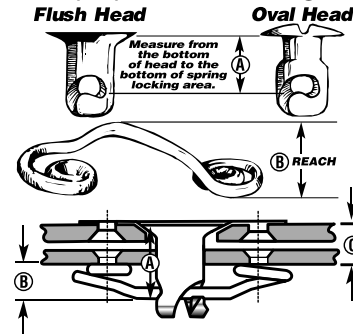
Quick Turn Fastener Measurement Guidelines

To find [A] Fastener Length, add together [B] Spring Reach and [C] Material Thickness [including bracket if applicable]. $A=B+C$

Quick Turn Fastener Selection

- Determine the total thickness of the panels being joined including mounting brackets and the space between the panels, if any.
- Select the proper body length and spring height combination which provides the proper thickness range.

Part No & [B]	[A] .400"	.450"	.500"	.550"	.600"
1" Springs [C] Total Material Thickness Range					
ALL19300 .250"	.165"-.200"	.215"-.250"	.265"-.300"	.315"-.350"	.365"-.400"
ALL19310 .325"	.098"-.133"	.148"-.183"	.198"-.233"	.248"-.283"	.348"-.383"
1-3/8" Springs [C] Total Material Thickness Range					
ALL19320 .325"	.105"-.148"	.155"-.198"	.205"-.248"	.255"-.298"	.355"-.398"
ALL19330 .375"	.055"-.098"	.105"-.148"	.155"-.198"	.205"-.248"	.305"-.348"
ALL19336 .425"	.005"-.048"	.055"-.098"	.105"-.148"	.155"-.198"	.255"-.298"



Allstar Performance 8300 Lane Dr., Watervliet, MI 49098

Phone: (269) 463-8000 Fax: (800) 772-2618 www.allstarperformance.com