



Punch And Flare Tool

INSTRUCTIONS

Begin by locating and marking the center point of desired hole location. Drill a 1/2" pilot hole in panel on the center point mark, the 1/2" hole is a guide for the punch tool. ALL11040 Step Drill Set is recommended as this will not distort the metal when drilling and will provide a clean chamfered hole. Apply lubricant, such as WD-40, to the bolt, bearing and surface of the panel to ease the cutting and flaring process. The scrap piece cut from the panel can be removed from the tool with a punch or similar item.

Tech Tip: If panel has a protective plastic covering, leave attached until punch and flare process is complete to help prevent damage to material finish.

Diagram For Punching And Flaring A Hole (At The Same Time)

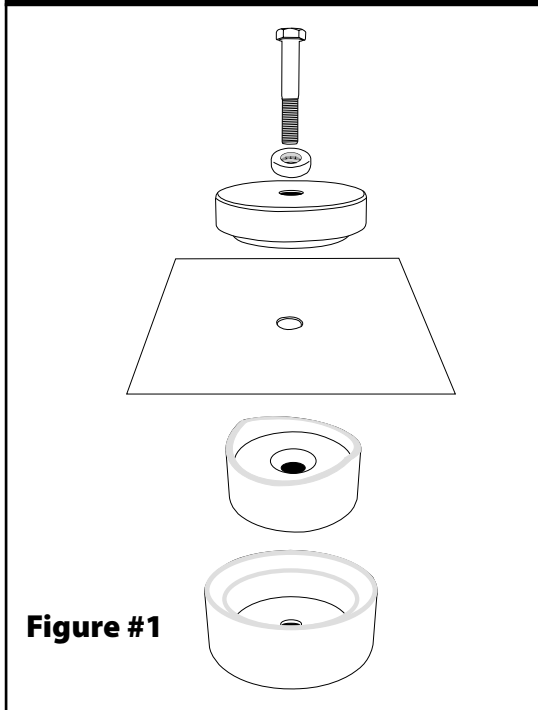
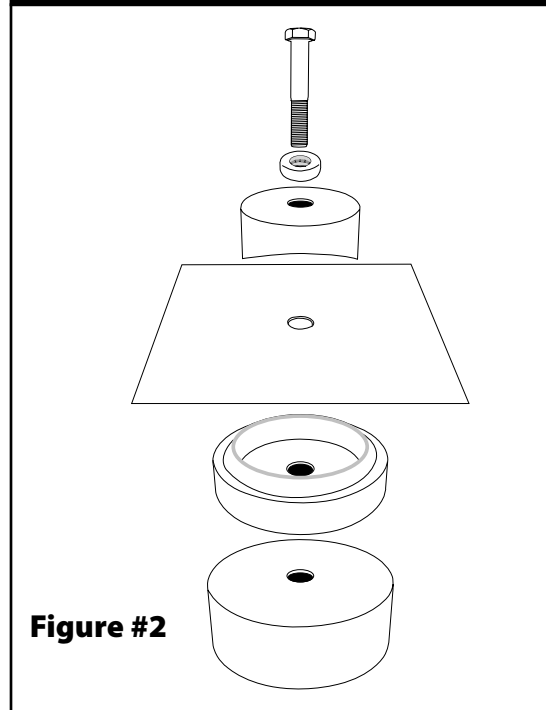


Diagram For Punching Hole Only



Note: Only tighten the mandrel bolt until panel is cut. Further tightening of the mandrel bolt will damage the dies.

Allstar Performance 8300 Lane Dr., Watervliet, MI 49098
Phone: (269) 463-8000 Fax: (800) 772-2618 www.allstarperformance.com